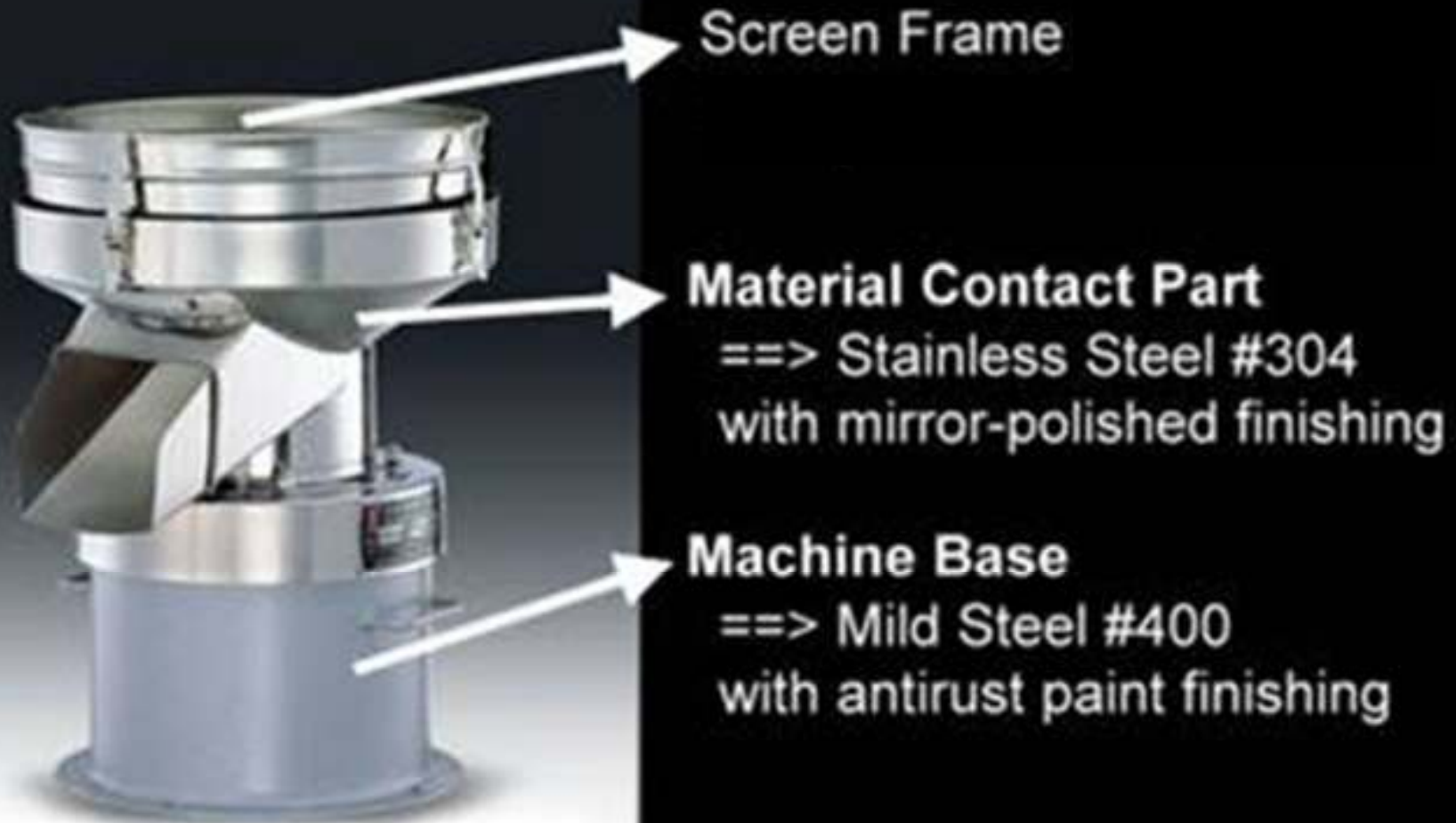


# LS-450 - ME

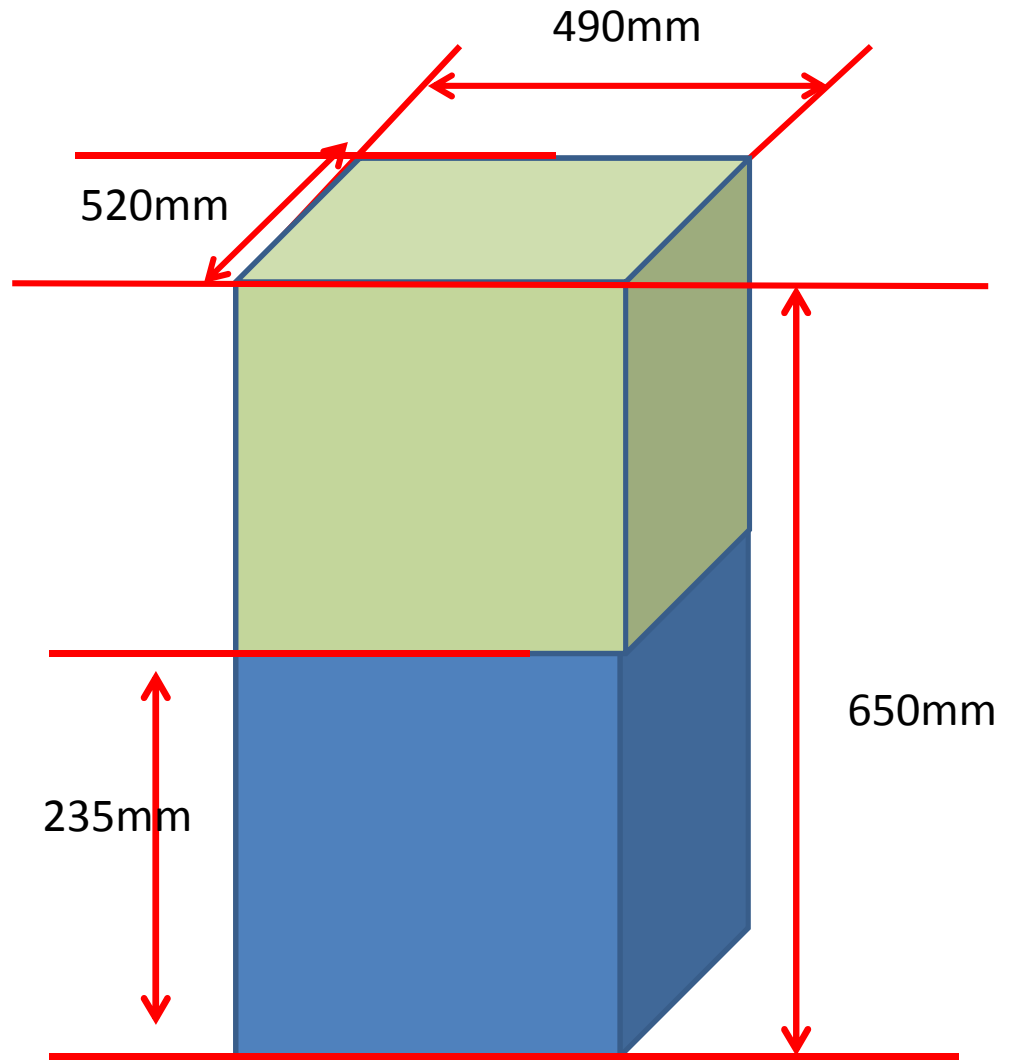
Machine Size :52cm x 49cm x 65cm

Machine Weight : 40KGS

**MEYASU**



**MEYASU**





**MEYASU**

# Screen Frames



**NW Type (Engaged Design)**

**Screen Frames Size : 450mm x 125mm**

